

# CTT200 Series



## 코일정격 (Magnet coil ratings)

Nominal voltage(V)	Item	Nominal current (mA)	Coil resistance (Ω)	Pull-in voltage (V)	Drop-out voltage (V)	Max. voltage (V)	Coil power(W) dissipation
DC	110	123 / 282	895 / 390	70% max.	10% min.	110%	Continuously 10 to 15
	80	172 / 380	465 / 210				
	72	192 / 450	375 / 160				
	60	228 / 590	263 / 102				
	48	308 / 658	160 / 73				Intermittently 30 to 40
	36	350 / 880	103 / 41				
	24	522 / 1410	46 / 17				
	12	1090 / 2400	11 / 5				
6	2000 / 4600	3 / 1.3					

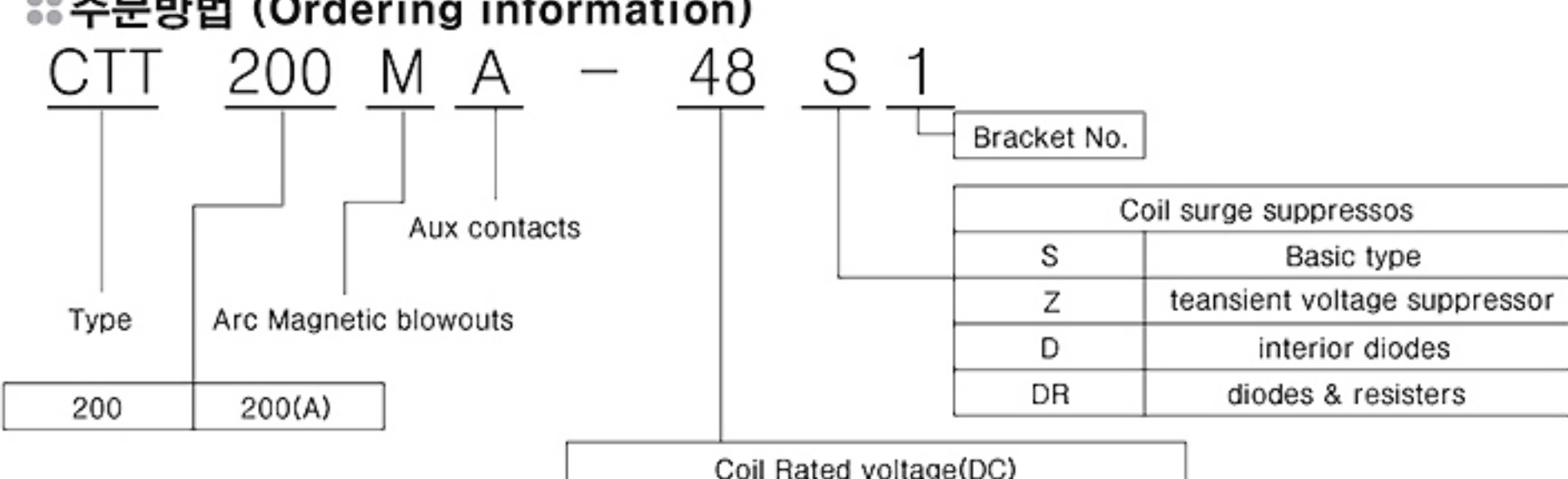
Notes : 1. Nominal current and coil resistance are measured at +20°C.  
2. Differences of coil resistance are ±15%.  
3. Performance characteristic coil temperature is measured at 20°C.

## 접점정격 (Contact ratings)

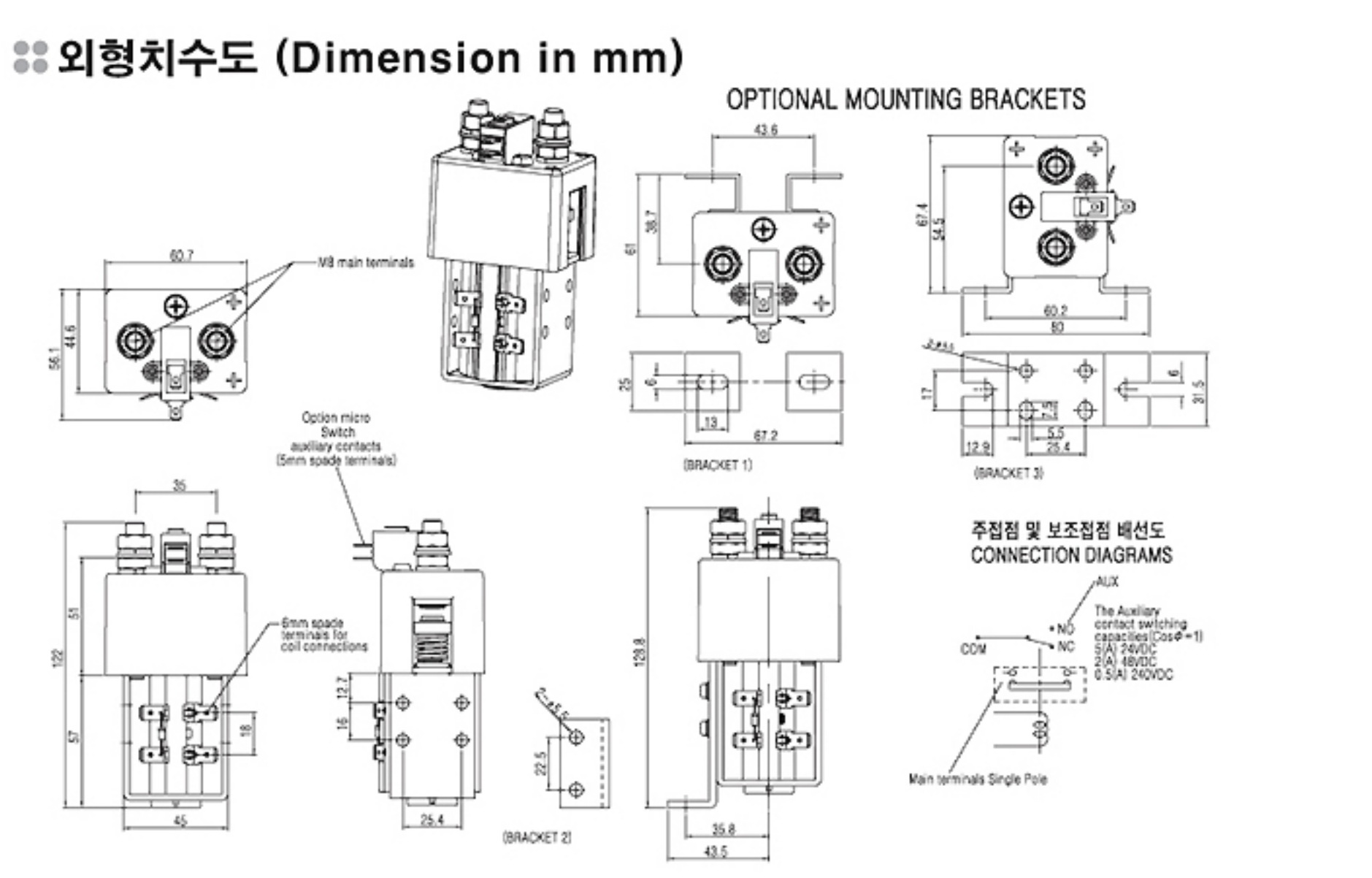
(60VDC기준)

Item	Type	1Pole Resistive load (cosφ = 1)
Max. switching current		200A
Max. switching voltage(DC)		60VDC (Without blowouts type)
Max. switching voltage(DC)		250VDC (With blowouts type)
Voltage drop across contacts per 100A		40mV max.
Description		S.P On/Off

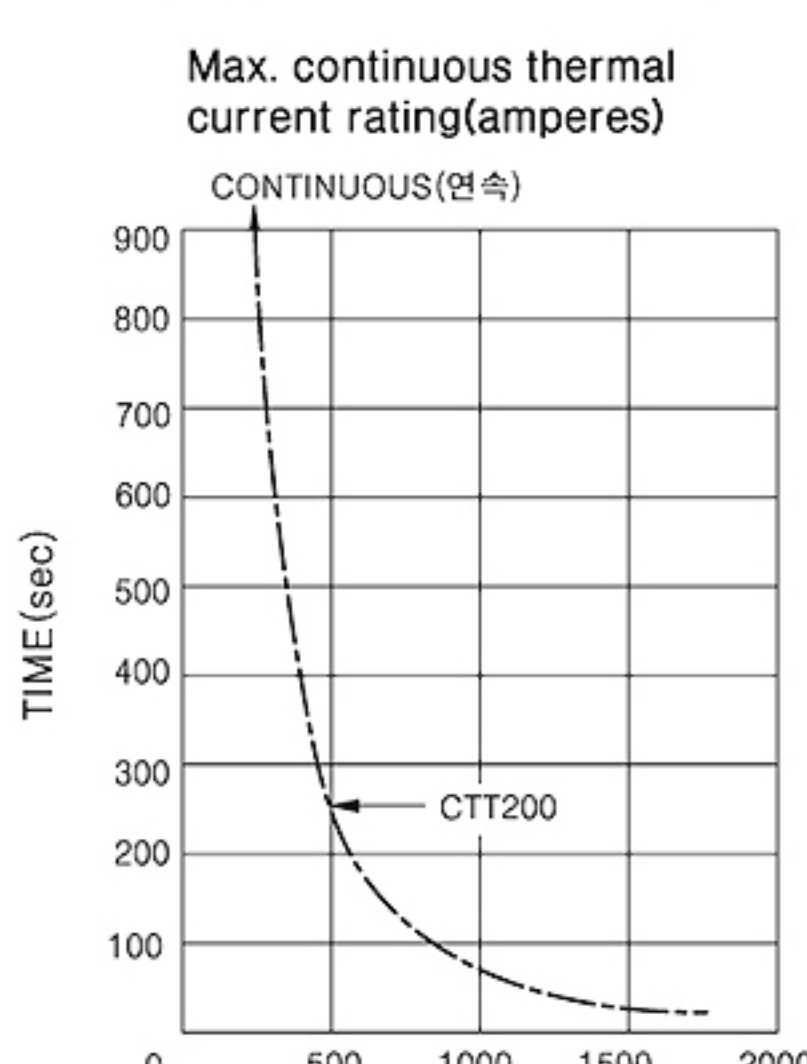
## 주문방법 (Ordering information)



## 외형치수도 (Dimension in mm)



## 특성곡선 (Contact performance curve)



# CTT400 Series

CTT300A, 350, 400, 403



## 코일정격 (Magnet coil ratings)

Nominal voltage(V)	Item	Nominal current (mA)	Coil resistance (Ω)	Pull-in voltage (V)	Drop-out voltage (V)	Max. voltage (V)	Coil power(W) dissipation
DC	110	134 / 280	820 / 390	70% max.	10% min.	110%	Continuously 13 to 20
	80	180 / 380	440 / 210				
	72	200 / 450	360 / 160				
	60	238 / 545	252 / 110				
	48	300 / 660	160 / 73				Intermittently 30 to 40
	36	400 / 880	90 / 41				
	24	545 / 1410	44 / 18				
	12	1200 / 2400	10 / 5				
6	2400 / 4600	2.5 / 1.30					

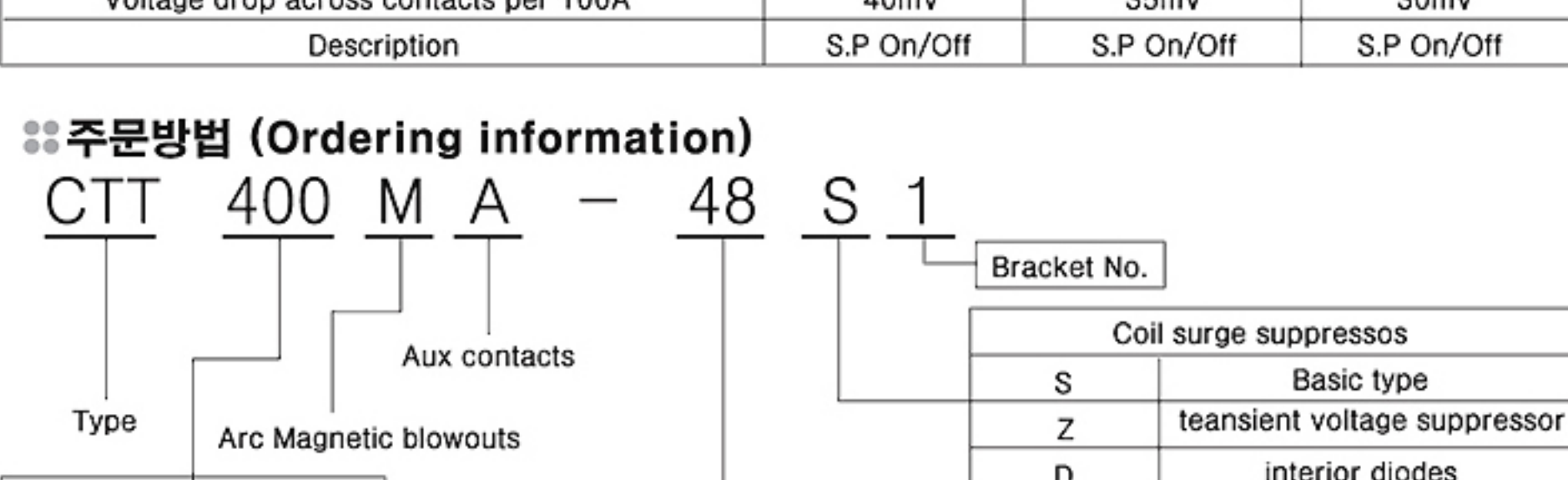
Notes : 1. Nominal current and coil resistance are measured at +20°C.  
2. Differences of coil resistance are ±10%.  
3. Performance characteristic coil temperature is measured at 20°C.

## 접점정격 (Contact ratings)

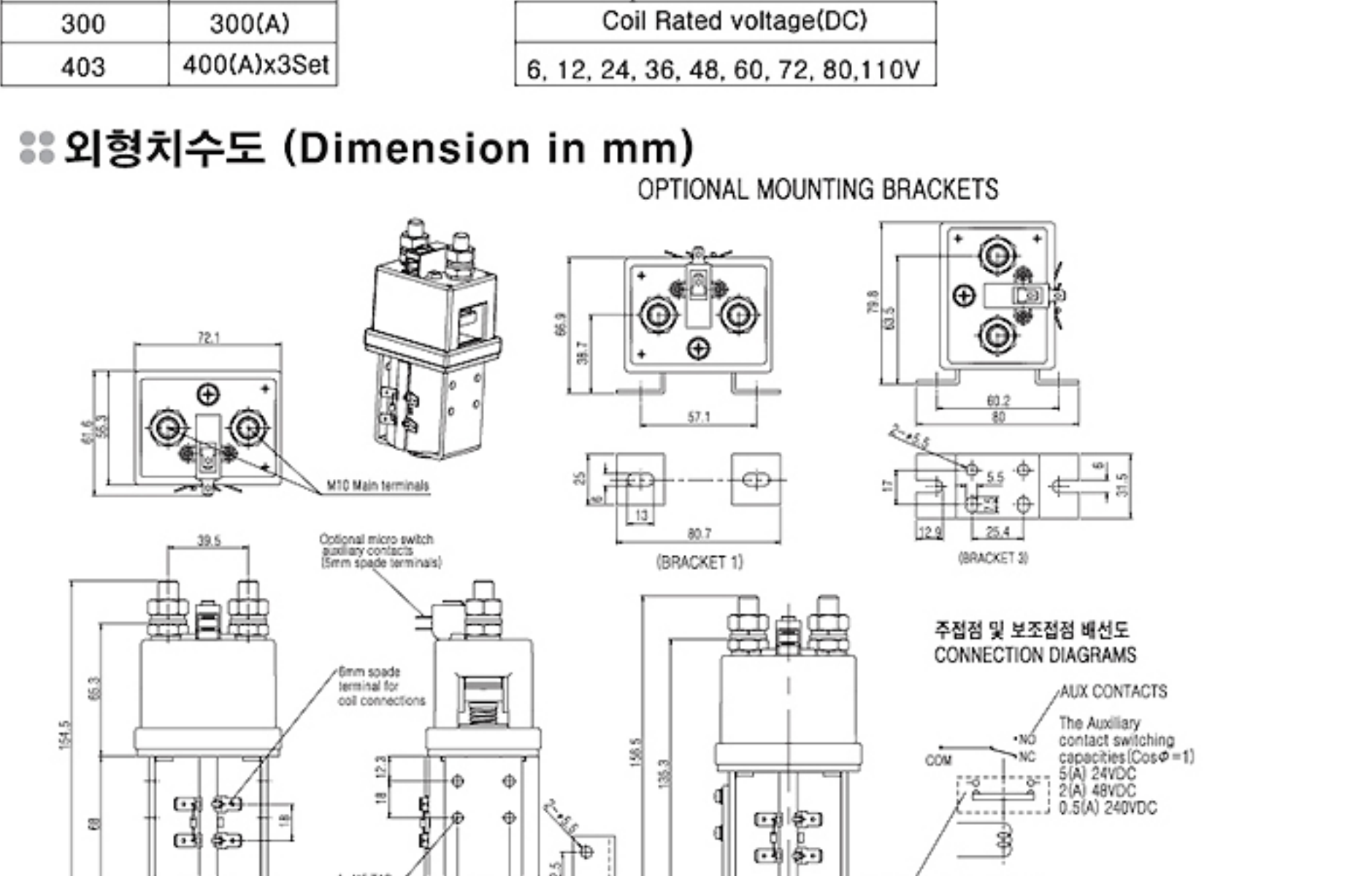
(60VDC기준)

Item	Type	1Pole Resistive load (cosφ = 1)
Max. switching current		300A 350A 400A
Max. switching voltages(With blowouts type)		250VDC 250VDC 250VDC
Max. switching voltages(Without blowouts type)		60VDC 60VDC 60VDC
Voltage drop across contacts per 100A		40mV 35mV 30mV
Description		S.P On/Off S.P On/Off S.P On/Off

## 주문방법 (Ordering information)



## 외형치수도 (Dimension in mm)



## 특성곡선 (Contact performance curve)

